

## BATTERY DRIVE, FTP-608 Series

### 2" HIGH SPEED THERMAL PRINTER

## FTP-628 MCL101#21/ #50

### Easy Loading Method

#### ■ OVERVIEW

The easy loading FTP-608 MCL Series is ultra compact high speed, battery driven thermal printer, printing on 2-inch wide paper (58mm) where platens are removable. Our original platen removal mechanism improved paper loading and maintenance.

The FTP-608 MCL series can be used for a variety of applications, such as portable terminals, POS, ticket issuing terminals, label printers, banking terminals, and measurement and medical equipment.

#### ■ HIGHLIGHTS

- **Easy loading type**  
Our original platen removal mechanism improved paper loading and maintenance.
- **Ultra compact**  
Height 15.5 mm, width 70.2 mm, depth 33.0 mm for the 2 inch model.
- **Low drive power**  
3 or 5V operation.
- **High speed printing**  
It can print at 60 mm/s (480 dotlines/s) maximum by using Fujitsu's unique head drive control.
- **High resolution printing**  
8 dots/mm of resolution printing is possible.



# FTP-628MCL101#21/ #50

## ■ PART NUMBERS

Item		Part Number
Printer mechanism		FTP-628MCL101 #21 without platen open detect switch FTP-628MCL101 #50 without platen open detect switch
LSI for driving		TBA
Interface Board	Parallel	TBA
	Serial	TBA
Interface Cables	Parallel	TBA
	Serial	TBA
Power cable	Head, motor, logic	TBA

## ■ SPECIFICATIONS

Item	Specifications	
Part number	FTP-628MCL101#21	FTP-628MCL101#50
Printing method	Thermal-line dot method	
Dot structure	384 dots/line	
Dot pitch (Horizontal)	0.125 mm (8 dots/mm)—Dot density	
Dot pitch (Vertical)	0.125 mm (8 dots/mm)—Line feed pitch	
Effective printing area	48 mm	
Number of columns	ANK 32 columns/line (maximum 12x 24 dot font)	
Paper width	58 mm <sup>+0</sup> <sub>-0.1</sub>	
Paper thickness	60 to 100 μm (some paper in this range may not be used because of paper characteristics)	
Printing Speed (max.)	60mm/sec. (480 dot line/sec.) at 7.2V	60mm/sec. (480 dot line/sec.) at 8.5V
Character types	Alphanumeric, katakana: 159 types International and special characters: 195 types JIS Kanji level 1, level 2, non-Kanji (supported only when Kanji CG is mounted): about 6800 types	
Character, dimensions (H×W), number of columns	12 × 24 dots, (1.5 × 3.0mm), 32 columns: ANK 24 × 24 dots, (3.0 × 3.0mm), 16 columns: ANK, Kanji 8 × 16 dots, (1.0 × 2.0 mm), 48 columns: ANK 16 × 16 dots, (2.0 × 2.0 mm), 24 columns: ANK, Kanji	

# FTP-628MCL101#21/ #50

## ■ SPECIFICATIONS

Item		Specification	
		FTP-628MCL101#21	FTP-628MCL101#50
Interface		Conforms to RS232C / Centronics	
Operating Voltage	For print head	2.7 to 7.2VDC, average current 1.9A (3A) peak Printing ratio: 12.5%, at 4.2V	4.2 to 8.5 VDC, average current 3.2A (3.8A) peak Printing ratio: 12.5%, at 7.2V
	For motor	4.2 to 8.5 VDC, 1 A max.	
	For logic	3.0 to 5.25 VDC, 0.1 A maximum	
External dimensions		70.2 x 33.0 x 15.5 mm (WxDxH)	
Weight		Approximately 42g	
Head life		Pulse resistance: 100 million pulses/dot (under our standard conditions). Abrasion resistance: paper traveling distance 50km (print ratio: 25% or less)	
Operating environment	Operating temperature*	0° C to +50° C	
	Operating humidity	20 to 85% RH (no condensation)	
	Storage temperature	-20° C to +60° C (paper not included)	
	Storage humidity	5 to 95% RH (no condensation)	
Detection function	Head temperature detection	Detected by thermistor	
	Paper out/mark detection	Detected by photo-interrupter	
Recommended thermal sensitive paper		High sensitive paper:	TF50KS-E4 (Nippon Paper)
		Standard paper:	TK50KS-E (Nippon Paper) PD150R (Oji Paper) FTP-020P0107 (58mm)
		Medium life storage paper:	TK60KS-F1 (Nippon Paper) FTP-020P0102 (58mm) PD170R (Oji Paper) AFP220VBB-1 (Mitsubishi Paper)
		Long life storage paper:	PD160R-N (Oji Paper) AFP-235 (Mitsubishi Paper) TP50KJ-R (Nippon Paper) HA112AA (Nippon Paper)

\*+5°C to +40°C printing density assurance range (-25 to 70°C capability)

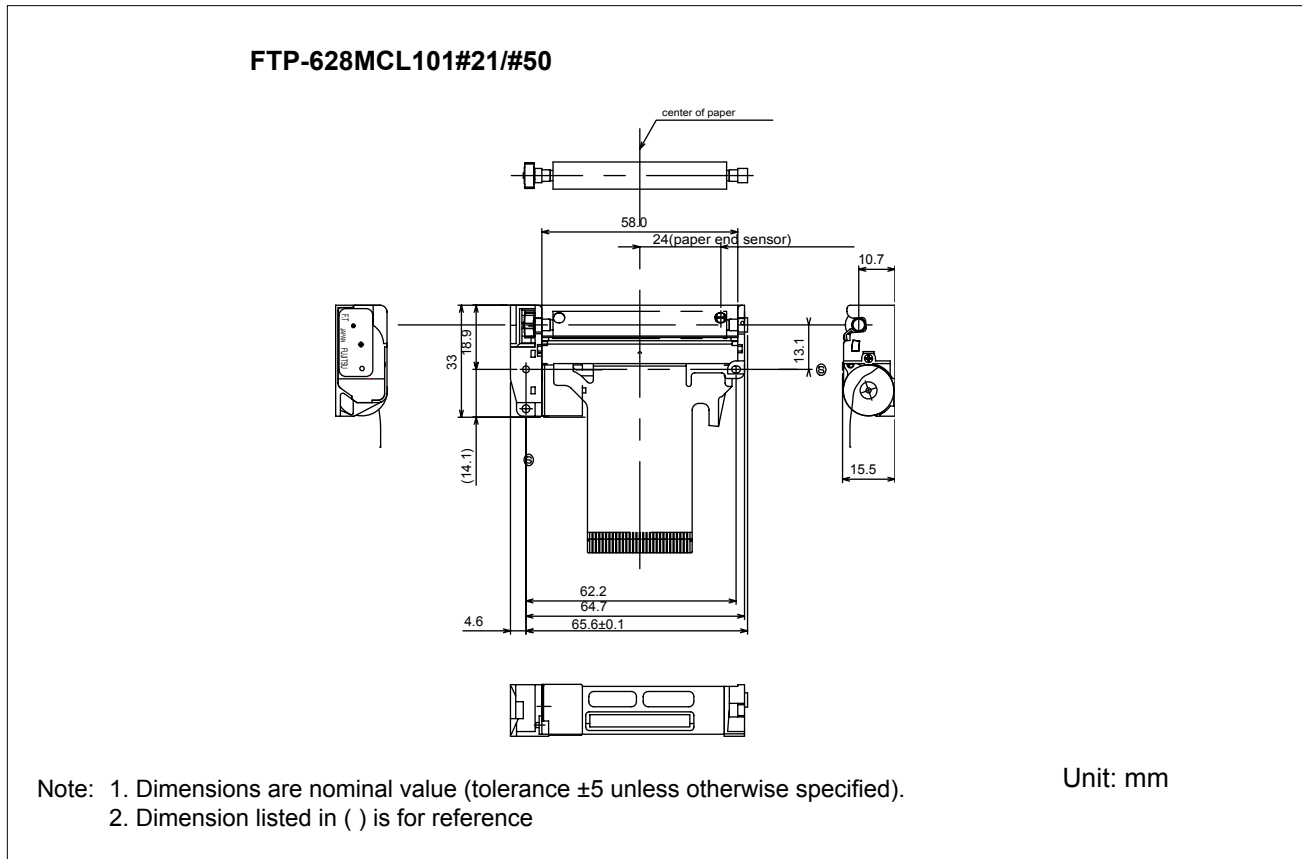
# FTP-628MCL101#21/ #50

## FUNCTION

Item	Item
1. Test print function	8. Mark detection function
2. Paper out detection	9. MCU operation abnormality detection
3. Paper near end detection	10. Power ON/OFF sequence protection
4. Thermal head temperature abnormality detection	11. Motor over-current protection
5. Blow-out fuse detection	12. Hardware timer
6. Head voltage abnormality detection	
7. Motor power saving function	

## DIMENSIONS

### 1. Printer mechanism: 2- inch



# FTP-628MCL101#21/ #50

## ■ PRINTER CONNECTOR (FLEXIBLE PT BOARD) PIN ARRAYS FTP-628 MCL101#11 / #21

Thermal head, control circuit side connector: 52610-3071 Molex or equivalent product

No	Signal	I/O	Contents
1	PHK	—	Cathode for photo interruptor
2	VSEN	I	paper sensor power
3	PHE	O	Emittor for photo interruptor
4	N.C.	—	No connection
5	N.C.	—	No connection
6	VH	—	Head drive power
7	VH	—	
8	DI	I	Data in
9	CLK	I	Synchronous clock for communication
10	GND	—	Ground power supply for thermal head
11	GND	—	
12	STB6	I	Thermal head energizing control signal
13	STB5	I	
14	STB4	I	
15	VDD	I	Logic power
16	TH	O	Thermally sensitive resistor input terminal 1
17	TH	O	Thermally sensitive resistor input terminal 2
18	STB3	I	Thermal head energizing control signal
19	STB2	I	
20	STB1	I	
21	GND	—	Ground power supply for thermal head
22	GND	—	
23	LAT	I	Data latch
24	DO	O	Data out
25	VH	I	Power supply for thermal head
26	VH	I	
27	MT A	I	Stepping motor excitation signal
28	MT $\bar{A}$	I	
29	MT B	I	
30	MT $\bar{B}$	I	

Do not plug or unplug the FPC when power is on.

## Fujitsu Components International Headquarter Offices

### Japan

Fujitsu Component Limited  
Gotanda-Chuo Building  
3-5, Higashigotanda 2-chome, Shinagawa-ku  
Tokyo 141 8630, Japan  
Tel: (81-3) 5449-7010  
Fax: (81-3) 5449-2626  
Email: [promothq@fcl.fujitsu.com](mailto:promothq@fcl.fujitsu.com)  
Web: [www.fcl.fujitsu.com](http://www.fcl.fujitsu.com)

### North and South America

Fujitsu Components America, Inc.  
250 E. Caribbean Drive  
Sunnyvale, CA 94089 U.S.A.  
Tel: (1-408) 745-4900  
Fax: (1-408) 745-4970  
Email: [components@us.fujitsu.com](mailto:components@us.fujitsu.com)  
Web: <http://us.fujitsu.com/components/>

### Europe

Fujitsu Components Europe B.V.  
Diamantlaan 25  
2132 WV Hoofddorp  
Netherlands  
Tel: (31-23) 5560910  
Fax: (31-23) 5560950  
Email: [info@fceu.fujitsu.com](mailto:info@fceu.fujitsu.com)  
Web: [emea.fujitsu.com/components/](http://emea.fujitsu.com/components/)

### Asia Pacific

Fujitsu Components Asia Ltd.  
102E Pasir Panjang Road  
#01-01 Citilink Warehouse Complex  
Singapore 118529  
Tel: (65) 6375-8560  
Fax: (65) 6273-3021  
Email: [fcal@fcal.fujitsu.com](mailto:fcal@fcal.fujitsu.com)  
Web: <http://www.fujitsu.com/sg/services/micro/components/>

©2009 Fujitsu Components America, Inc. All rights reserved. All trademarks or registered trademarks are the property of their respective owners.

Fujitsu Components America or its affiliates do not warrant that the content of datasheet is error free. In a continuing effort to improve our products Fujitsu Components America, Inc. or its affiliates reserve the right to change specifications/datasheets without prior notice.  
Rev. February 26, 2009.